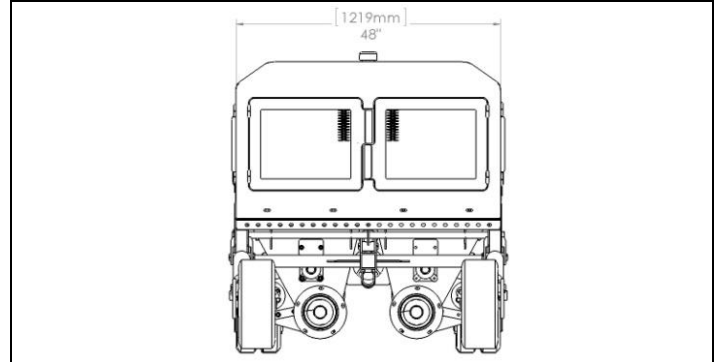
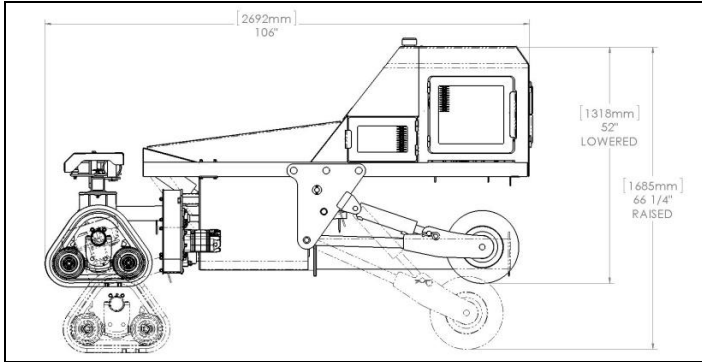


Form-Botic

Specifications & Dimensions



Length:

104.5 inches (265.43 cm)

Width:

48 inches (121.92 cm)

Height:

Lowered - 52 inches (132.08 cm)

Raised - 66.25 inches (168.27 cm)

Weight:

Dry 2150 lbs (975.22 kg)

Wet 2375 lbs (1075 kg)

Turning radius :

48 inches (121.92 cm)

Production Rate:

Up to 9 feet (2.7 meters) per minute

Solidified tires

16.5 x 6.5 x 8 inches (41.91 x 16.51 x 20.32 cm)

Tracks:

24 x 8 x 18 inches (60.96 x 20.32 x 45.72 cm)

Engine:

38 hp Kohler Command pro (Diesel optional)

Fuel:

Gas 87 octane

Fuel tank capacity:

2 x 6 gallon (22.71 liters) removable tanks

Hydraulic pump:

Sauer-Danfoss model Series 45 L25C

GPM 20gpm@3kRPM (75lpm@3k)

Hydraulic controls:

Sauer-Danfoss PVG32 spools

Hydraulic Oil:

ISO 46 premium

Hydraulic tank capacity:

20 gal (75.70 liters)

Remote controller system /radio:

Ikuzi – 914.150-915.875Mhz ERP < 1mW

Range: approximately 200 meter

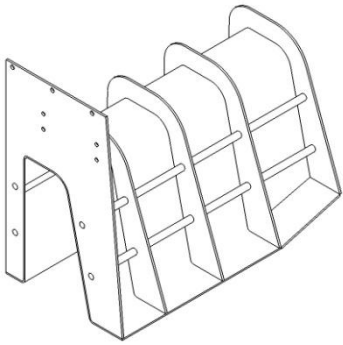
Battery life: approximately 16 hour

String line kit:

feature for automated steering

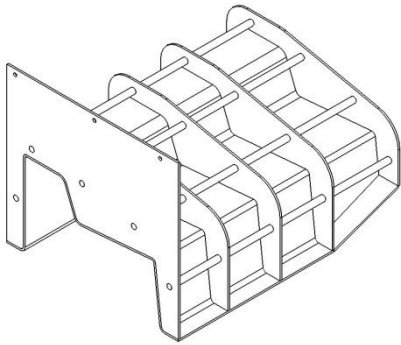
Form-Botic

Curb, Gutter and Sidewalk Forms



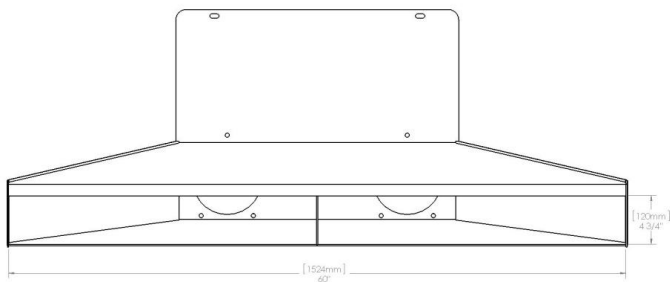
Curb forms supported in dimensions up to 20 inches high (559mm)

Contact Curbcoco for custom size molds



Gutter forms supported in dimensions ranging up to 30 inches wide (76cm)

Contact Curbcoco for custom size molds



Sidewalk forms supported in dimensions up to 6.5 feet wide (2 meters)

Contact Curbcoco for custom size molds